

1 2 3 4 5 6

A

A

B

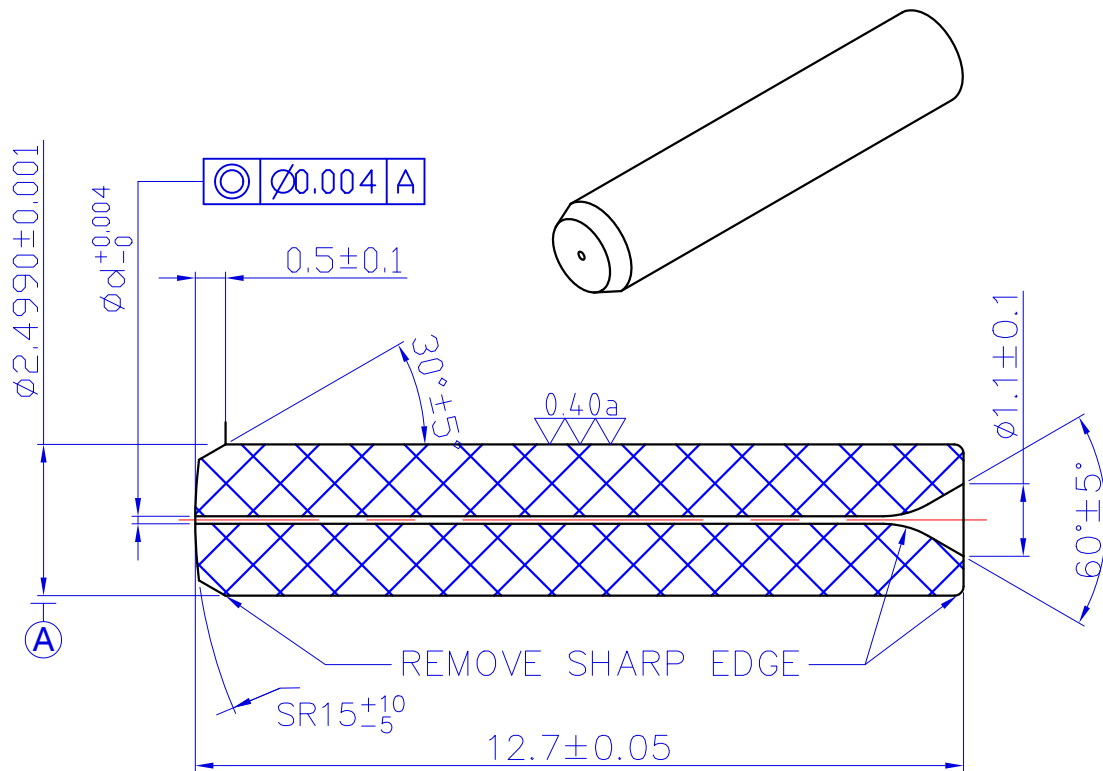
B

C

C

D

D



NOTE:

- 1、 REMOVE ALL BURRS AND BREAK SHARP EDGE
- 2、 NO DIRT ON SURFACE
- 3、 TOLERANCES UNLESS OTHERWISE SPECIFIED:±0.1,±0.5°
- 4、 PRODUCT MUST BE RoHS COMPLIANT

	d
□	0.126
□	0.127

△			
△			
△			
NO.	DATE	NOTE	SIGN

Title	ST/MM/PC/φd			Material	ZrO2	Unit	mm
Dwg No.	FE.STMM.P.d-40-01-0-00			Treatment		Scale	8:1
Drawn	Yixue.Gan	Date	2019.06.29			Ver.	1.0
Checked	Andrew.Li	Date	2019.06.29				
Approved		Date					

1 2 3 4 5 6