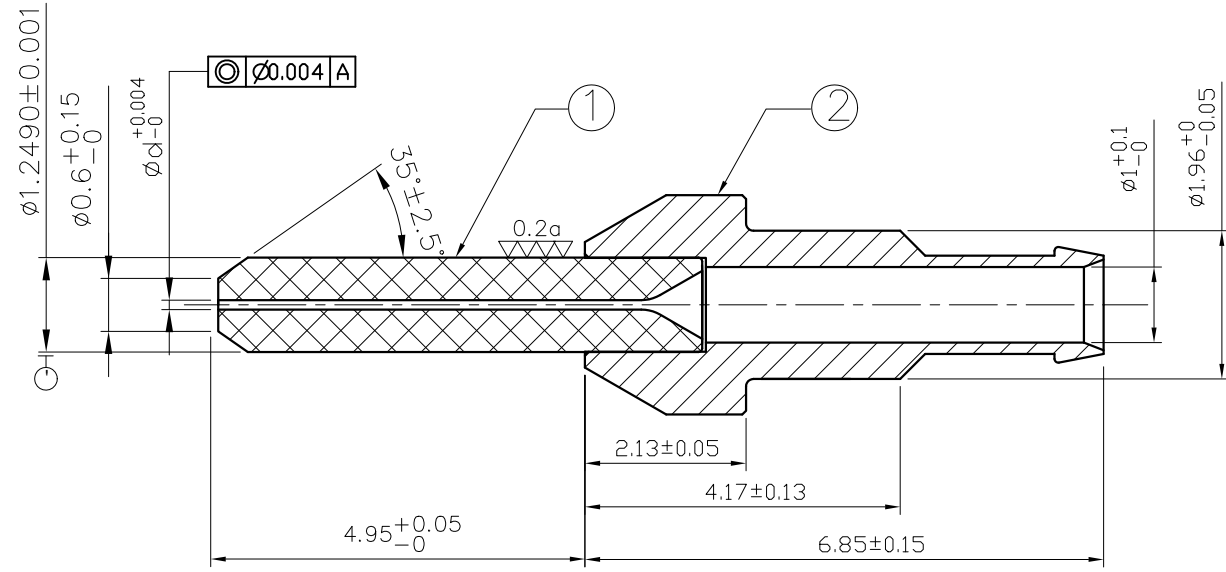
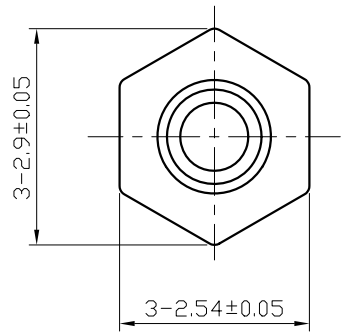


1		2		3		4		5		6	
No.	Part Name	Drawing No		Material	Colour	Qty					
1	Ferrule	FE.LCMM.F.d-C40-M3-0-00		ZrO2	White	1					
2	Flange	FL.LC.W000-0685-CU-00		Cu,Nickel plated		1					



45 : +
= 8+3 5 < + ' 22 (; 889 ' 4 * (8+ ' 1 9 . ' 86 +* - +
= 45 * /8 : 5 4 9 ; 8 , ') +
= : 5 2+8 ' 4) +9 ; 4 2+99 5 : . +8 = /9+ 96+) / , /+* r r q
= 685 * ;) : 3 ; 9 : (+ 8 U . 9) 5 3 62 ' 4 :

	d
□	0.126
□	0.127

Title	LC/MW/FLAT/d/With flange			Material		Unit	mm
Dwg No.	FE.LCMM.F.d-C40-M3-CU-00			Treatment		Scale	10:1
Drawn	Yixue.Gan	Date	Aug.23 2019			Ver.	2.0
Checked	Andrew.Li	Date	Aug.23 2019				
Approved		Date					

△			
△			
△			
NO.	DATE	NOTE	SIGN

Grid labels: A, B, C, D (rows); 1, 2, 3, 4, 5, 6 (columns)